

GROUND ZERO®

GERMAN ENGINEERING

GZ BASS KIT 12.300X

Owner´s manual

Features

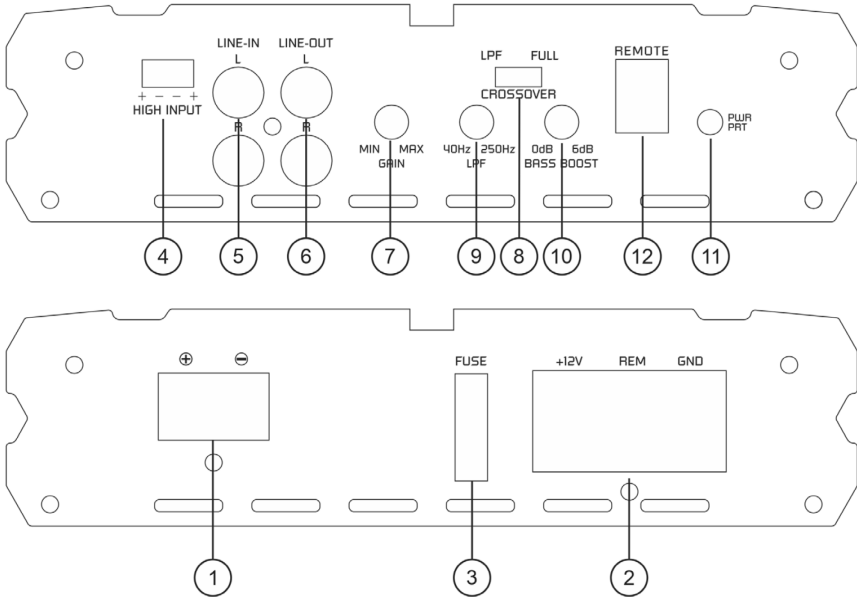
- Mono class A/B amplifier GZBA 1.300X
- 4 ohms stable amplifier
- Power and protection indicator
- Bass Boost control
- Variable low pass filter
- Auto-on function for high-level input
- Adjustable input sensitivity
- Separately available remote control
- 30 cm / 12" subwoofer enclosure with Aero port
- Klippel® optimized

General installation note

- As a precaution, it is recommended to disconnect the vehicles battery before mounting the amplifier. (Note: For new vehicles, disconnecting the battery might cause various errors in your vehicle´s electric system that can be cleared only by authorized personnel of your vehicle´s manufacturer! Please ask your service partner first before disconnecting the battery!)
- The power supply wire (+12 V) has to be protected within max. 20 cm / 8" by a main fuse holder with a fuse value matching the recommendation for your amplifier or internal fuse value
(Note: If there is more than one amplifier connected using this power wire, the main fuse value must be equal to the sum of the recommended fuses of all connected devices. However, make sure the diameter of your power wire will be sufficient for the required current!)
- If necessary, replace a defective fuse by a fuse with identical quality and value
- Never drill a hole to the vehicle´s gas tank or brake lines, to wirings or any other important vehicle parts!
- Never pass wires over sharp edges or vehicle parts to avoid any kind of damage
- Keep the wiring away from the antenna and electronic devices contributing to radio reception
- Lay the power supply wiring always separated from speaker wiring to avoid disturbance
- The amplifier contains a temperature protection circuit that turns the device off in case of overheating. After a certain cooling time, it will turn on automatically. To avoid heat build-up, sufficient air supply for cooling must be provided. Never cover the surface of the amplifier´s heatsink entirely
- The amplifier should not be mounted onto a vibrating part or surface such as a subwoofer enclosure. This might lead to malfunction due to loosened electrical parts inside the amplifier.
- This amplifier has got a high-level input option, however if a pre-amplified output (RCA) is available (from head unit), it is strongly recommended to make use of it.

GZ BASS KIT 12.300X

Connections and controls



1	Speaker terminal	To connect the speaker wire (of the subwoofer)
2	Power terminal	GND Ground connection REM Remote connection (not necessary when high-level input is used) BATT +12 Volt connection
3	Fuse	Replace a defective fuse by a fuse with identical quality and value (30A)
4	High-level input	To connect your head unit (if not equipped with a low-level RCA output) Connect this input to the speaker outputs of your head unit. The amplifier automatically turns on (Auto On). The remote needs not to be connected IMPORTANT! Do not use the high-level input and the RCA input simultaneously. This may lead to serious damage of the amplifier. Use either the RCA or the high-level input, only
5	RCA input	To connect the low-level input signal (RCA) IMPORTANT! Do not use the high-level input and the RCA input simultaneously. This may lead to serious damage of the amplifier. Use either the RCA or the high-level input, only
6	RCA output	To connect an additional amplifier (RCA)
7	Gain (level) control	To adjust the input sensitivity
8	Mode switch	To select the crossover mode LPF Low frequencies (below selected crossover point) will be reproduced FULL Full range reproduction
9	Low pass control	To set the crossover frequency. Set the filter switch to the LOW position. Adjust the variable LPF frequency to the desired frequency using the controller
10	Bass Boost control	To adjust the low bass increase (Bass Boost) at 45 Hz (0 – 6 dB)
11	Status indication	GREEN Amplifier is in operation mode RED Amplifier is in protection mode
12	Remote control connector	To connect the separately available remote control GZTA Bassremote

GZ BASS KIT 12.300X

Amplifier specifications

Model	GZBA 1.300X
Type	Mono class A/B amplifier
Power output @ 4 ohms (14.6V) / RMS	1 x 200 W
Power output @ 4 ohms (14.6V) / max	1 x 300 W
Low pass filter	40 – 250 Hz
Bass Boost	0 – 6 dB (@ 40 Hz)
Frequency response	15 Hz – 20 kHz
Input sensitivity	200 mV – 6.5 V
Auto-On @ High-level input	✓
Fuse	1 x 30A
Dimensions / heatsink only W x H x L (mm/inch)	180 x 53 x 236 / 7.09" x 2.09" x 9.29"

Subwoofer specifications

Model	GZ BASS KIT 12.300X subwoofer
Type	30 cm / 12" vented subwoofer (with Aero port)
Power handling	300 W
Impedance	4 ohms
Volume (net)	40 Liter / 1.41 cu.ft.
Dimensions W x H x D at top/bottom (mm/inch)	520 x 360 x 250 / 350 mm 20.47" x 14.17" x 9.84 / 13.78"

Trouble shooting guide

Symptoms	Inspect	Check
No sound	Is the POWER LED illuminated?	Check the fuses of the amplifier Make sure that remote lead is connected Check the +12 Volt connection Check the ground connection
	Is the diagnostic LED illuminated?	Check for speaker short or overheating
Amp not switching on	Power and ground wiring	Check the power and ground wiring
	Remote wire	Check the connection of the head unit
Amplifier switches off at medium or high levels	Check speaker load impedance	Make sure that the recommended speaker load impedance is observed
Protection LED is on	Temperature shut down	Turn the head unit's level down Switch the head unit off Check the installation
	Speaker wires short	Separate and insulate the speaker wires

GZ BASS KIT 12.300X

Terms of warranty

The limited warranty for this product is covered by Ground Zero's local distribution partners and their terms and conditions. For further information contact your local retailer or distributor.



Listening to music can be emotional, impressive, relaxing or enjoyable. At that, it doesn't really matter what kind of music is the personal favorite, whether it's Instrumental, Jazz, Electro, Latin, Classic, Rock or any other music direction. However, audio reproduction quality at each desired volume is elementary. Some music styles require higher levels while others prefer the soft tones.

GROUND ZERO considers all the different wishes of customers during the development of new products. Along with this, the target is to create the most realistic sound, to transfer the soul of the music and the intention of the performer. Summarized to one phrase: RESPECT THE MUSIC!

Ground Zero GmbH



Erlenweg 25, 85658 Eggenmating, Germany
Tel. +49 (0)8095/873 830 Fax -8310
www.ground-zero-audio.com

